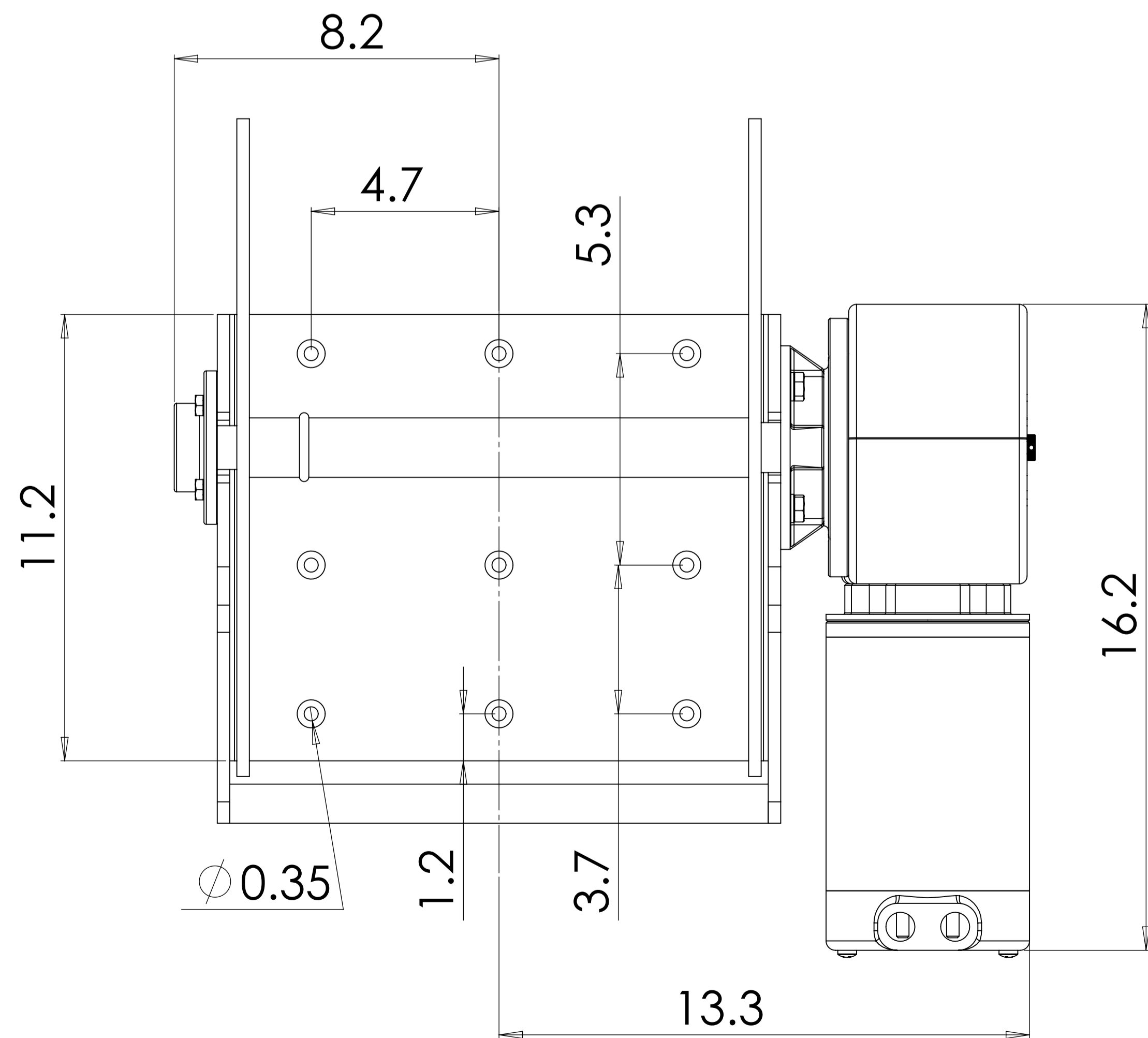
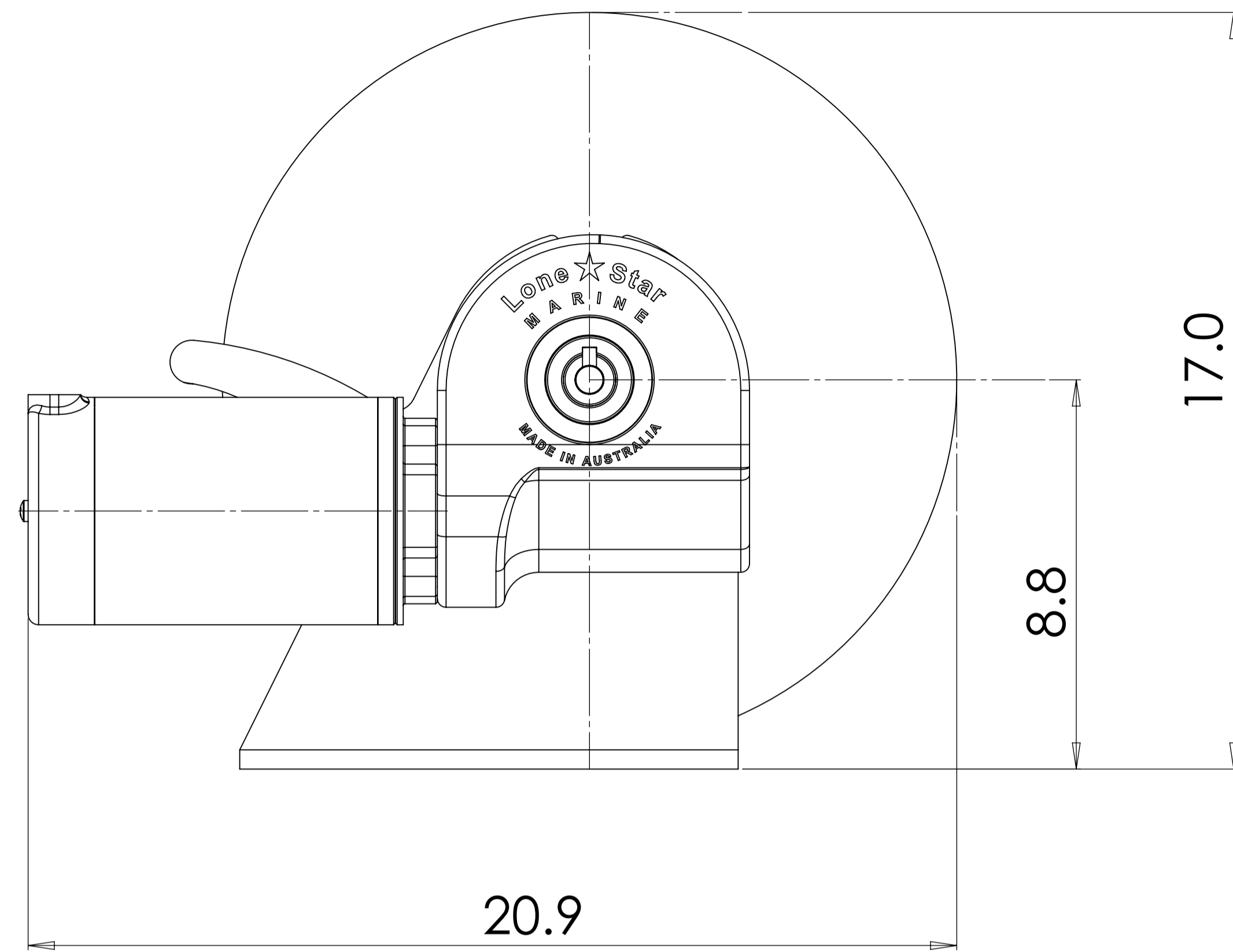
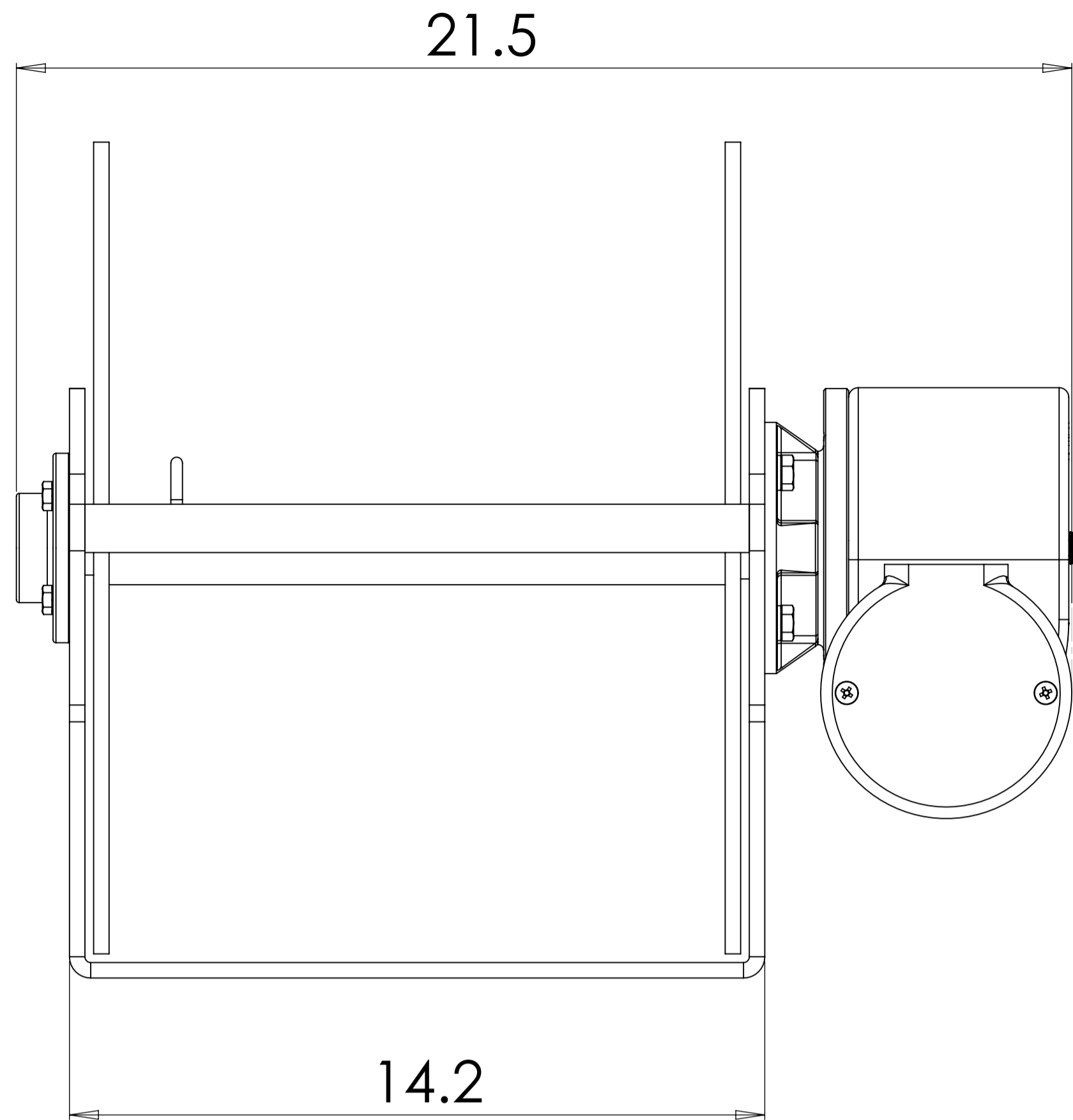


DO NOT SCALE



This document and its contents are the property of Lone Star Marine, they are protected by design registration and copyright, any form of disclosure to any third party is strictly prohibited unless written permission is given from Lone Star Marine.

UNLESS OTHERWISE SPECIFIED: DIMENSIONS ARE IN MILLIMETERS		FINISH:	DEBUR AND BREAK SHARP EDGES		DO NOT SCALE DRAWING	REVISION
SURFACE FINISH:						
TOLERANCES:						
LINEAR:						
ANGULAR:						
DRAWN:	NAME:	SIGNATURE:	DATE:		TITLE:	
CHCD:	CHRIS		--2015			
APPVD:						
MFG:						
QA:						
				MATERIAL:	DWG NO: ELITE 5 FIT UP_1A A1	
				WEIGHT:	SCALE: 1:5 SHEET 1 OF 1	